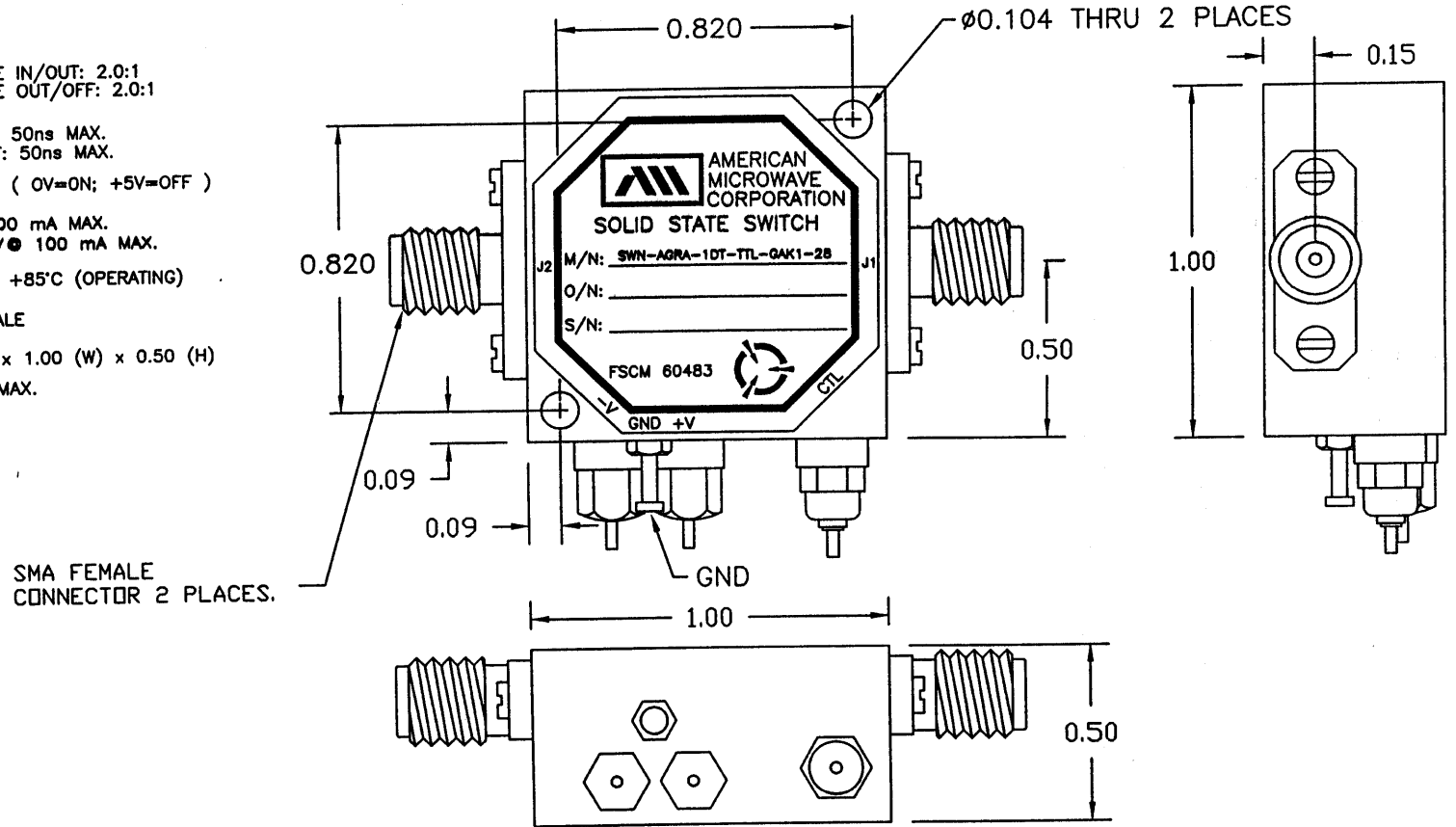


SPECIFICATIONS:

- FREQUENCY: 2.0 GHz TO 8 GHz
- INSERTION LOSS: ABSORPTIVE: 2.5dB MAX, 2.0 dB TYP.
- ISOLATION: 65db MIN
- VSWR: ABSORPTIVE IN/OUT: 2.0:1
ABSORPTIVE OUT/OFF: 2.0:1
- SPEED: DELAY ON: 50ns MAX.
DELAY OFF: 50ns MAX.
- CONTROL: TTL LOGIC (0V=ON; +5V=OFF)
- POWER SUPPLY: +5V @ 100 mA MAX.
-12/-15V @ 100 mA MAX.
- TEMPERATURE: -54°C TO +85°C (OPERATING)
- CONNECTORS: SMA FEMALE
- SIZE 1.00 (L) x 1.00 (W) x 0.50 (H)
- WEIGHT 1.5 OZ. MAX.

REVISIONS			DATE	APPROVED
ZONE	REV.	DESCRIPTION		
-	-	ORIGINAL RELEASE	1/15/99	



SMA FEMALE CONNECTOR 2 PLACES.

NOTE:

- DR=WITH DRIVER, REFLECTIVE
- DT=WITH DRIVER, NON-REFLECTIVE/ABSORPTIVE

ENVIRONMENTAL RATINGS:

- TEMPERATURE: -55°C TO +85°C (OPERATING)
-65°C TO +125°C (STORAGE)
- HUMIDITY: MIL-STD-202F, METHOD 103B COND. B
- SHOCK: MIL-STD-202F, METHOD 213B COND. B
- VIBRATION: MIL-STD-202F, METHOD 204D COND. B
- ALTITUDE: MIL-STD-202F, METHOD 105C COND. B
- TEMPERATURE CYCLE: ... MIL-STD-202F, METHOD 107D COND. A

ALL DIMENSIONS ARE IN INCHES
TOLERANCES:

- X.XX ±0.020
- X.XXX ±0.010

NOTE: THE ABOVE SPECIFICATIONS ARE SUBJECT TO CHANGE OR REVISION

CONTRACT NO.		AMERICAN MICROWAVE CORPORATION FREDERICK, MARYLAND	
APPROVALS	DATE	TITLE	
DRAWN K SIMMS	1/15/99	OUTLINE DRAWING SWN-AGRA-1DT-TTL-GAK1-28 SOLID STATE SWITCH	
CHECKED DK	1/27/99	SIZE	REV.
ISSUED WP	1/27/99	FSCM NO. A 60483	DWG NO. 100-4703
SCALE N/S		SHEET 1 of 1	